



INSTALLATION INSTRUCTIONS FOR PART 99-7509

APPLICATIONS

Mazda 5 2006-2011 99-7509

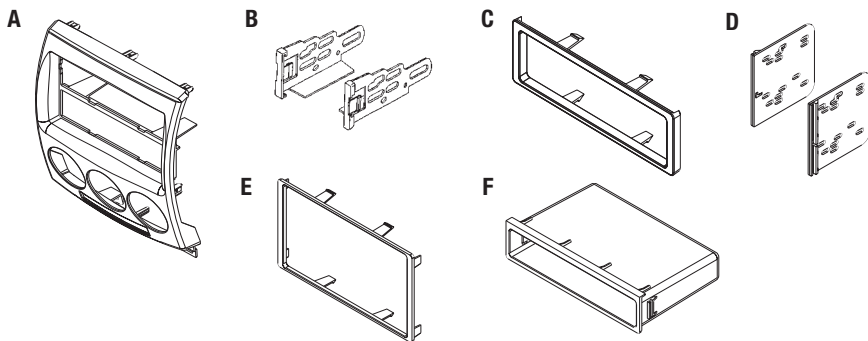
KIT FEATURES

- Painted to match factory dash
- DIN radio provision with pocket
- ISO radio provision with pocket
- Double DIN radio provision
- Stacked ISO mount units provision



KIT COMPONENTS

- A) Radio Housing
- B) ISO Brackets
- C) ISO Trim Plate
- D) Double DIN Brackets
- E) Double DIN Trim Plate
- F) Snap In Pocket



WIRING & ANTENNA CONNECTIONS (Sold Separately)

Wiring Harness: •70-7903 - Mazda Harness 01-up

TOOLS REQUIRED

Small Flat Blade Screwdriver • Panel Removal Tool • Phillips Screwdriver



METRA. THE WORLD'S BEST KITS.™



1-800-221-0932



metraonline.com

© COPYRIGHT 2004-2011 METRA ELECTRONICS CORPORATION

REV. 8/16/2012 INST99-7509



99-7509

Table of Contents

Dash Disassembly

- 2006-up Mazda 5.....3-5

Kit Assembly

- DIN radio provision with pocket6
- ISO mount radio provision with pocket7-8
- Double DIN/stacked ISO DIN head unit provision9

Caution

Metra recommends disconnecting the negative battery terminal before beginning any installation. All accessories, switches, and especially air bag indicator lights must be plugged in before reconnecting the battery or cycling the ignition.

**NOTE: Refer also to the instructions included with the aftermarket radio.*



KNOWLEDGE IS POWER

Enhance your installation and fabrication skills by enrolling in the most recognized and respected mobile electronics school in our industry. Log onto www.installerinstitute.com or call 800-354-6782 for more information and take steps toward a better tomorrow.

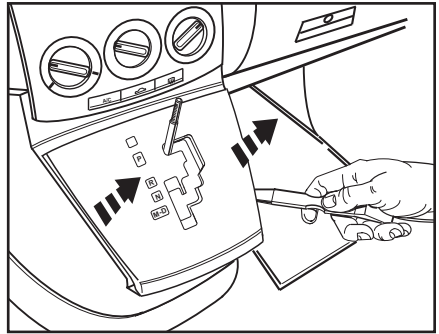


Metra recommends MECP certified technicians

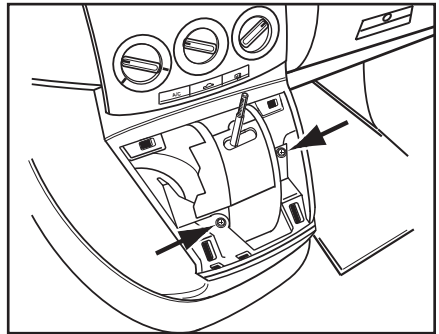
Dash Disassembly

1. Remove the shifter. (Figure A)
2. Remove (2) Phillips screws exposed below shift lever trim panel. (Figure B)

Continued on next page



(Figure A)

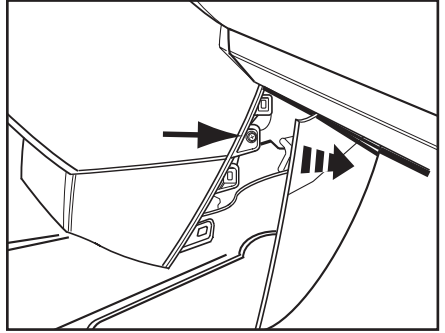


(Figure B)

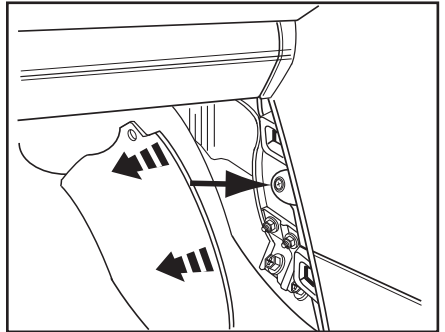
Dash Disassembly

3. Unclip and remove the center console side trim panels then remove (1) Phillips screw per side behind panels. (Figure C,D).

Continue to next page



(Figure C)



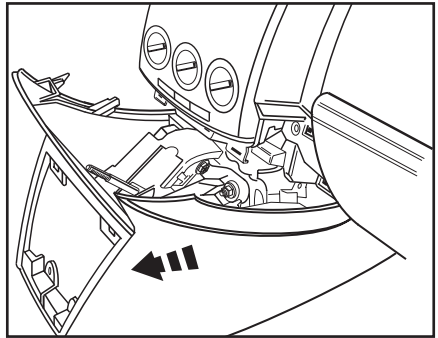
(Figure D)

Dash Disassembly

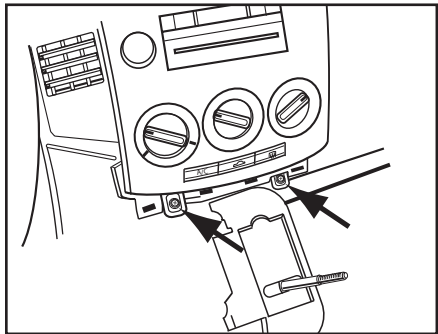
- Unclip and pull the center console towards the rear of the vehicle.
Note: You do not have to remove the center console completely. (Figure E)

- Remove (2) Phillips screws at the bottom of the radio trim panel then unclip the panel including the factory radio. Unplug and remove the panel.
Note: The climate controls do not come out with the panel. (Figure F,G)

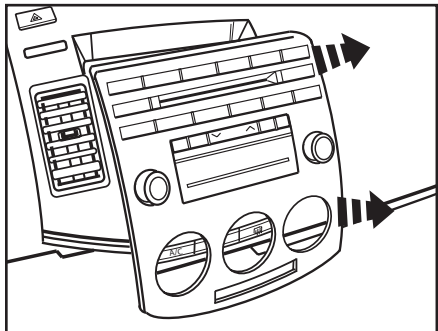
Continue to kit assembly



(Figure E)



(Figure F)



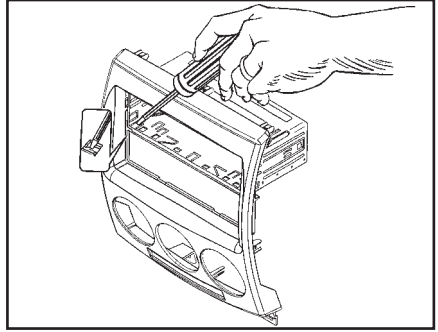
(Figure G)



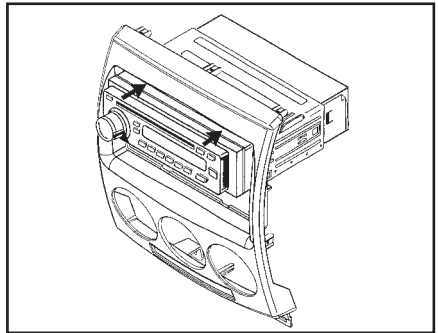
Kit Assembly 99-7509

DIN radio provision with pocket

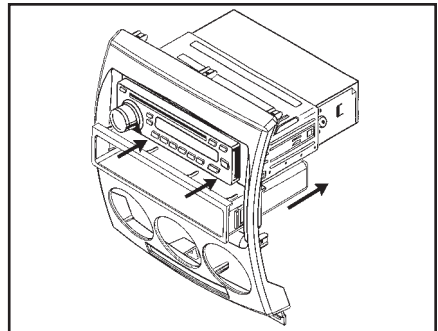
1. Locate the factory wiring harness in the dash. Metra recommends using the proper mating adapter from Metra or AXXESS. Re-connect the negative battery terminal and test the unit for proper operation.
2. Slide the DIN cage into the radio housing and secure by bending the metal locking tabs outward. (Figure A)
3. Slide the aftermarket radio into the cage until it snaps into place. (Figure B)
4. Snap the pocket into the radio housing. (Figure C)
5. Reassemble dash in reverse order of disassembly.



(Figure A)



(Figure B)



(Figure C)

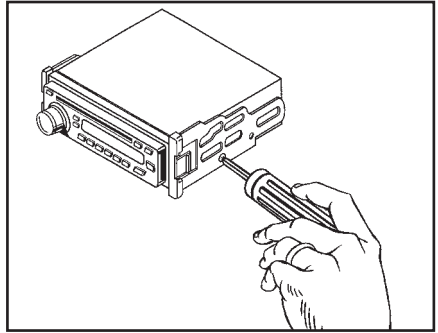


Kit Assembly 99-7509

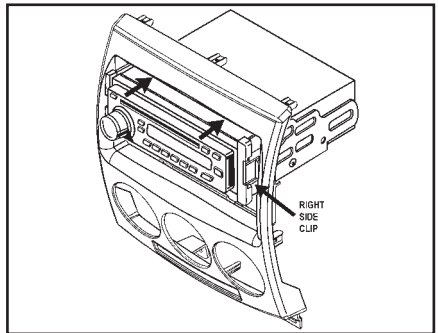
ISO mount radio provision with pocket

1. Locate the factory wiring harness in the dash. Metra recommends using the proper mating adapter from Metra or AXXESS. Re-connect the negative battery terminal and test the unit for proper operation.
2. Mount the ISO brackets to the aftermarket radio using the screws supplied with the radio. (Figure A)
3. Slide the radio into the radio housing until it snaps into place. (Figure B)
4. Snap the trim plate onto the front of the radio housing. (Figure C)
5. Snap the pocket into the Radio.

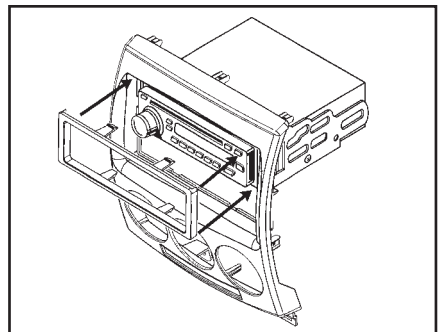
Continued on next page



(Figure A)



(Figure B)



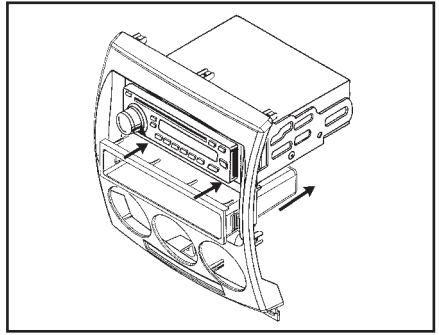
(Figure C)



Kit Assembly 99-7509

ISO mount radio provision with pocket

6. Snap the pocket into the radio housing.
(Figure D)
7. Reassemble dash in reverse order
of disassembly.



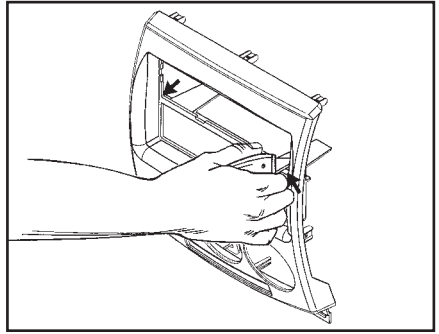
(Figure D)



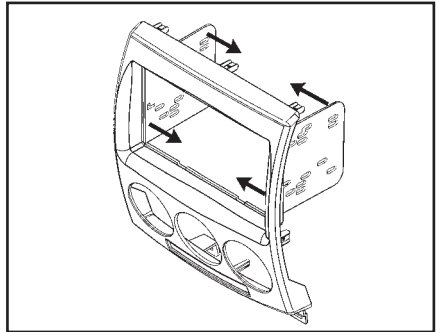
Kit Assembly 99-7509

Double DIN/Stacked ISO units provision

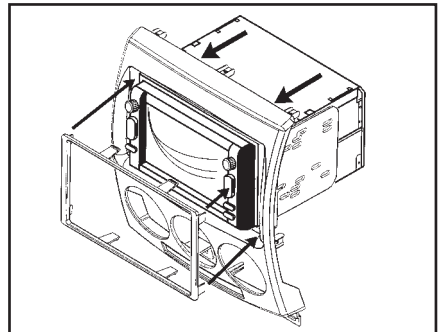
1. Locate the factory wiring harness in the dash. Metra recommends using the proper mating adapter from Metra or AXXESS. Re-connect the negative battery terminal and test the unit for proper operation.
2. Cut and remove the center bar from the radio housing. (Figure A)
3. Snap the double DIN brackets to the inside edge of the radio housing. (Figure B)
4. Slide the double DIN or stacked ISO unit(s) into the bracket/radio housing assembly and secure the double DIN or stacked ISO unit(s) to the assembly using the screws supplied with the unit(s). (Figure C)
5. Snap the double DIN trim plate onto the front of the Radio Housing. (Figure C)
6. Reassemble dash in reverse order of disassembly.



(Figure A)



(Figure B)



(Figure C)



INSTALLATION INSTRUCTIONS FOR PART 99-7509

REV. 8/16/2012 INST99-7509



1-800-221-0932



metraonline.com

© COPYRIGHT 2004-2011 METRA ELECTRONICS CORPORATION