



9. Place facia plate

Reinstall everything in reverse order to finish installation



**Installation Manual
Double DIN Kit**

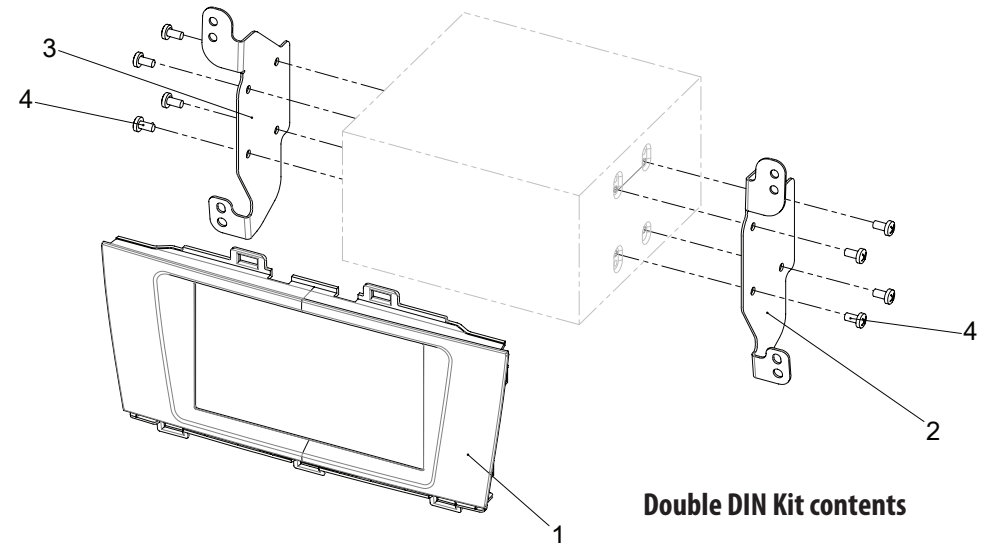
piano black:

381296-07-1

• Subaru Outback 2015->

Compatible with double DIN devices

Double DIN navigation

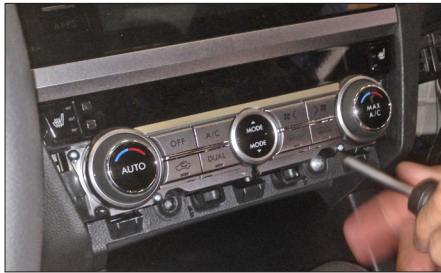


Double DIN Kit contents

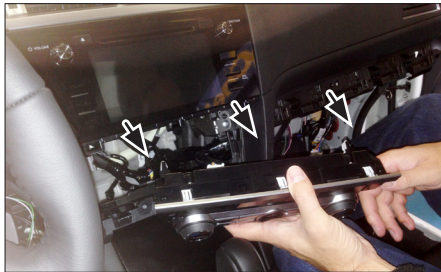
- (1) facia plate
- (2) mounting bracket right
- (3) mounting bracket left
- (4) cross recessed pan head screw



1. Remove panel of air condition control unit



2. Remove screws of air condition control unit



3. Remove cables carefully
Remove air condition control unit



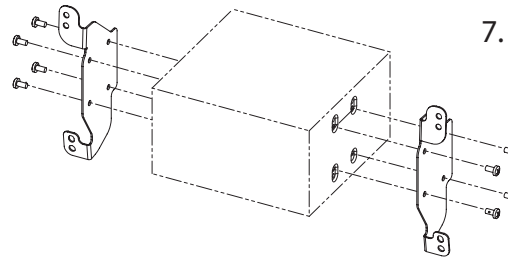
4. Unclip air vents
Disconnect hazard switch
Remove air vents



5. Remove all screws of OEM head unit



6. Remove OEM head unit



7. Mount mounting brackets on double DIN head unit



left



right

8. Connect all required circuit points

Place double DIN head unit on dash board and fix it with 4 OEM screws (removed in step 5)