

# Z-Series Component Speakers

Z-Series Composants de haut-parleurs  
Z-Series Componentes de altavoces

Models: Z5CS - Z65CS

## FEATURES

**Shallow Mount Design** - Compact basket design to achieve maximum installation flexibility Z-Series Cone - High-quality polypropylene cone material for great sounding audio

**Space-Saving Internal Crossover** - Separate audio frequencies, creating a more realistic sound experience

**Butyl Rubber Surround** - Excellent durability for prolonged performance and improved lateral cone stability

**Positional Ferro Fluid Tweeters** - Creates the ideal sound stage and provides enhanced thermal contact for improved reliability and optimum damping for the voice coils

## CARACTÉRISTIQUES

**Design à faible profondeur** - Conception de panier compact pour obtenir une flexibilité d'installation maximale

**Cône de la série Z** - Matériau conique en polypropylène de haute qualité pour un son parfait

**Croisement interne pour économiser de l'espace** - Fréquences audio séparées, créant une expérience sonore plus réaliste

**Haut parleur en caoutchouc Butyle** - Excellente durabilité pour une performance prolongée et une meilleure stabilité du cône latéral

**Tweeters fluides Ferro de positionnement** - Permet de créer un son de scène idéal et offre un contact thermique amélioré pour une meilleure fiabilité et un amortissement optimal pour les bobines

## CARACTERÍSTICAS

**Diseño Bajo del Montaje** - Diseño de carro compacto para una máxima flexibilidad de instalación

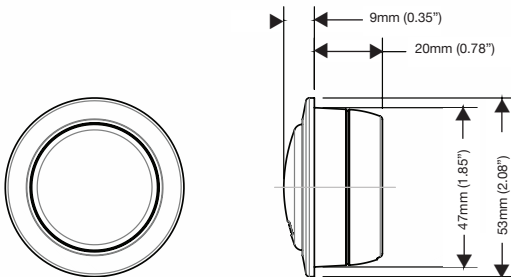
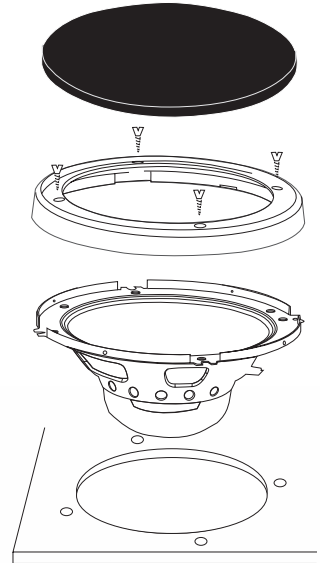
**Cono de Serie Z** - Material de Cono de Polipropileno de Alta Calidad para un Gran Sistema de Sonido

**Cruces Internos para Ahorrar Espacio** - Posee Frecuencias de Audio Separadas, para crear una experiencia de sonido más realista

**Caucho Butílico** - Excelente durabilidad para un rendimiento prolongado y una mejor estabilidad del cono lateral

**Altavoces de Agudos Posicionales recubiertos de Ferrofluido** - Creando una etapa de sonido ideal y proveyendo un contacto térmico mejorado para una mayor fiabilidad y óptima amortiguación de la bobina de voz

SPECIFICATION	Z5CS	Z65CS
Peak Power (watts)	140 Watts	160 Watts
Rated Power (watts)	35 Watts	40 Watts
Frequency Response	41Hz-26KHz	35Hz-26KHz
Impedance	4 Ohm	4 Ohm
Sensitivity	85dB	86dB
Cone Material	Polypropylene	Polypropylene
Tweeter	PEI	PEI
Mounting Depth	45mm / 1.77"	46mm / 1.81"
Mounting Diameter	118mm / 4.64"	126mm / 4.96"



▲ Component Fixing  
 ▲ Tweeter Dimensions

## INSTALLATION GUIDELINES

Ensure the audio system is turned off before making any connections to the amplifier, speakers or source unit. Failure to do so could result in permanent damage to the audio system. When wiring the speakers ensure that the wire is protected from sharp objects and always use rubber grommets when wiring through metal panels. Ensure all terminals and connections are protected from the vehicle chassis and from each other as failure to do so could result in permanent damage to the audio system. When connecting speakers to the source unit or amplifier ensure you connect the positive and negative output wire from the source unit to the corresponding speaker terminals. This will ensure the audio system will be in phase.

1. Ensure there is adequate clearance and depth for the speaker to be mounted.
2. Use the supplied template to mark out & cut the correct diameter hole.
3. Drill four holes for the mounting screws.
4. Separate the grille from the frame
5. Insert the speaker and grille and affix with the screws provided
6. Complete installation by replacing the grille into the grille frame.

### **WARNING**

Do not drill mounting holes with speaker in place as this could allow drill shavings to damage the voice coil and void the speaker warranty.

#### **TWEETER (Surface/Angle Mount)**

To obtain the best performance from the tweeter it should be located on axis to approximately 4" below the rear view mirror. Select the mount you require and use this as a template to drill the holes to mount or alternatively if using an adhesive pad ensure the mounting surface is cleaned with a residue free cleaner and attach the speaker using the adhesive pad. Attach the wires to the speaker terminals.

#### **TWEETER (Flush Mount)**

Ensure you have adequate depth to mount the tweeter and cut a 50mm hole. Assemble the rear mount with the spring clamp and press through from the rear of the hole, then attach the front plate to the rear plate. Attach the wires to the speaker terminals.

#### **CONTENTS**

- 2 x Phoenix Gold Component Speakers
- 2 x Phoenix Gold Tweeters with wires
- 2 x Phoenix Gold Speaker Grilles
- 1 x Mounting Template
- 8 x Mounting Screws
- 1 x User Manual

#### **NOTE**

Speaker Wire included with the component speaker system will only connect the tweeter to the speaker, additional wiring is needed to connect to the audio system.

### **WARNING:**

Audio Systems can produce sound levels over 135dB. Continuous exposure to sound pressure levels over 100dB may cause permanent hearing loss. Please watch for emergency vehicles as warning signals may not be heard.