

PHOENIX GOLD®



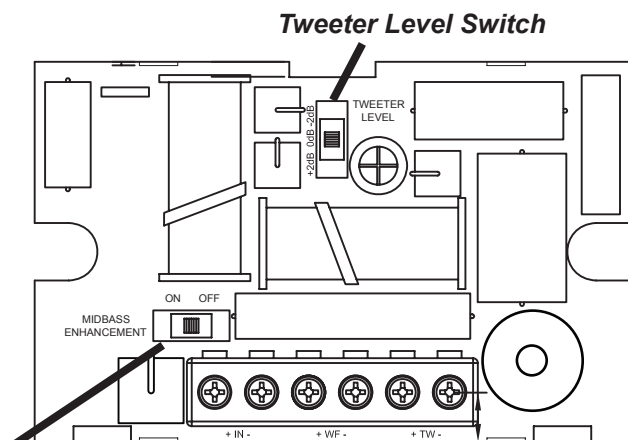
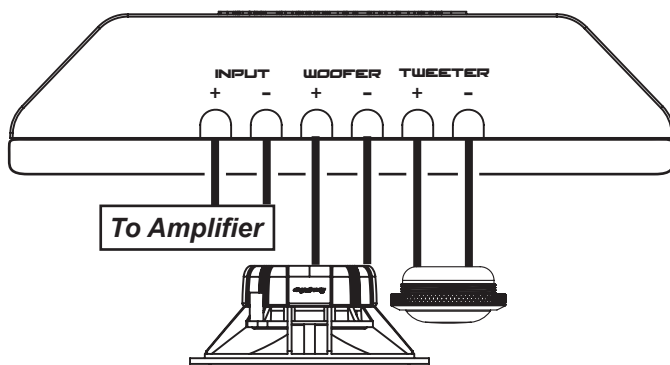
T1265cs
OWNER'S MANUAL

A FEW WORDS ABOUT DESIGN

Thank you for purchasing the Phoenix Gold Ti265cs speaker system. It features a 20mm pure silk dome tweeter that resides in an anodized aluminum housing that has been CNC'd from a single block of raw aluminum. The 6.5" midrange also features a dual roll surround that eliminates unwanted resonances, acoustical artifacts and dampens mechanical vibrations. The tweeter and midrange has been specifically engineered with complex FEA analysis that perfectly optimizes the motor structures. Engineering a great tweeter and midrange is not enough to guarantee excellent sound quality. The passive crossovers are computer modeled and then real world (in car tested and further tweaked) to provide a seamless transition from the midrange to tweeter.

CROSSOVER WIRING AND INTERNAL SWITCHES

Wiring Connections:



Midbass Enhancement EQ Switch

Tweeter Level Switch: Allows the tweeter's output level to be adjusted -2dB, 0dB and +2dB.

Midbass Enhancement EQ Switch: If set to "On" this will enhance midbass output and contour down the midrange output. This is the best setting for end users that listen to modern music styles and mostly MP3 material.

Set to "Off" the system will have a truly flat frequency response, perfect for the sound quality competitor or pure audiophile.

For most sound boards, we recommend to set the tweeter to 0dB or +2dB and Midbass Enhancement EQ to "On" for best performance. Results and ears may vary.

TWEETER MOUNTING



Installation Instructions:

1. Find a proper mounting location that is flat and has a mounting depth clearance of roughly 15mm.
2. Cut a 43mm mounting hole in the door panel or mounting baffle.
3. Mount and secure the tweeter to the door panel or baffle using the threaded retaining nut.
4. Connect the tweeter wires to the crossover.

SPECIFICATIONS

FEATURES:

- 20mm Silk Dome Tweeter
- Fully Machined Aluminum Tweeter Housing
- Poly Treated Paper Cone
- Smooth Termination Dual Roll Rubber Surround
- Powder Coated Stamped Steel Basket
- Custom Tooled Crossover Housing with Direct Wiring Connections
- Audiophile Crossover with Tweeter and Midbass Adjustments
- Continuous Play Tweeter Protection Circuitry
- Integrated Aluminum Dust Cap
- Interwoven Tinsel Leads
- High Temperature CAE/CAD Motor Structure

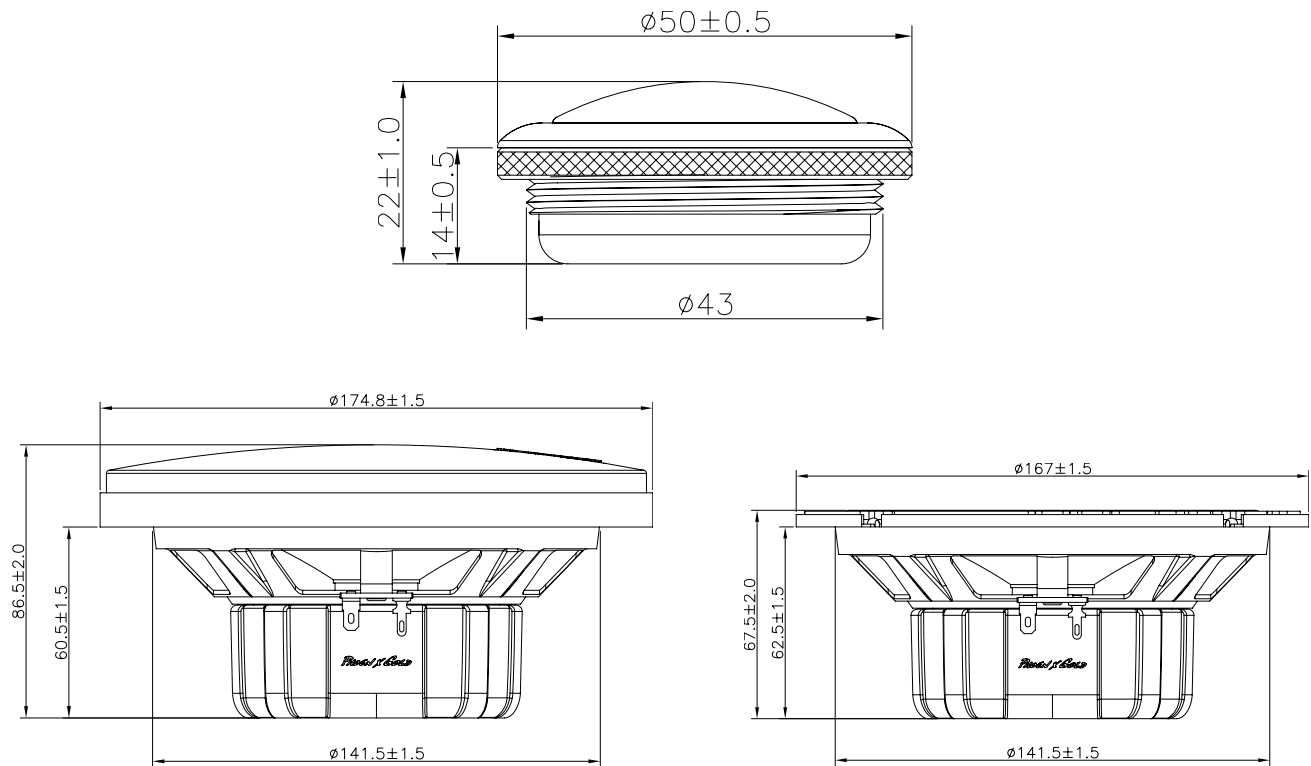
Specifications:	Ti265cs
RMS Power Handling	125 watts
PEAK Power Handling	250 watts
Nominal Impedance	4 ohms

Note on Fully Active Crossover Systems: For the best performance we always recommend the use of the provided passive crossovers with an external high pass electronic crossover usually located on the amplifier or headunit. The passive crossover design is extremely complex as it "blends" and "smoothes" the tweeter and midrange's response and impedances together.

Running the system fully active with an external electronic crossover (instead of the passive crossovers) for the tweeter and midrange eliminates all this smoothing and transitional circuitry. The reality is that it almost guarantees worse performance unless the system is perfectly EQ'd with precision crossover points. It also eliminates the tweeter protection. Unless you are sound quality and tuning expert, using the provided crossovers will deliver the best performance.

(Mounting and Physical Dimensions are located on the back page)

DIMENSIONS



All measurements in Millimeters

PHOENIX GOLD

Phoenix Gold
A Division of AAMP of America™
13190 56th Court
Clearwater, Florida 33760
P: 866-788-4237
info@phoenixgold.com
www.phoenixgold.com
© 2012 AAMP of Florida, Inc

Designed and Engineered in the USA

LIMITED WARRANTY

Phoenix Gold warrants this product to be free of defects in materials and workmanship for a period of one (1) year from the original date of purchase. This warranty is not transferable and applies only to the original purchaser from an authorized Phoenix Gold dealer in the United States of America only. Should service be necessary under this warranty for any reason due to manufacturing defect or malfunction, Phoenix Gold will (at its discretion), repair or replace the defective product with new or remanufactured product at no charge. Damage caused by the following is not covered under warranty: accident, misuse, abuse, product modification or neglect, failure to follow installation instructions, unauthorized repair attempts, misrepresentations by the seller. This warranty does not cover incidental or consequential damages and does not cover the cost of removing or reinstalling the unit(s). Cosmetic damage due to accident or normal wear and tear is not covered under warranty.

INTERNATIONAL WARRANTIES

Products purchased outside the United States of America are covered only by that country's Authorized Phoenix Gold reseller and not by Phoenix Gold. Consumers needing service or warranty information for these products must contact that country's reseller for information.