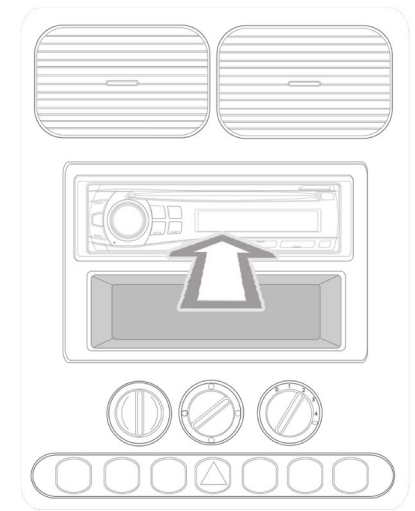
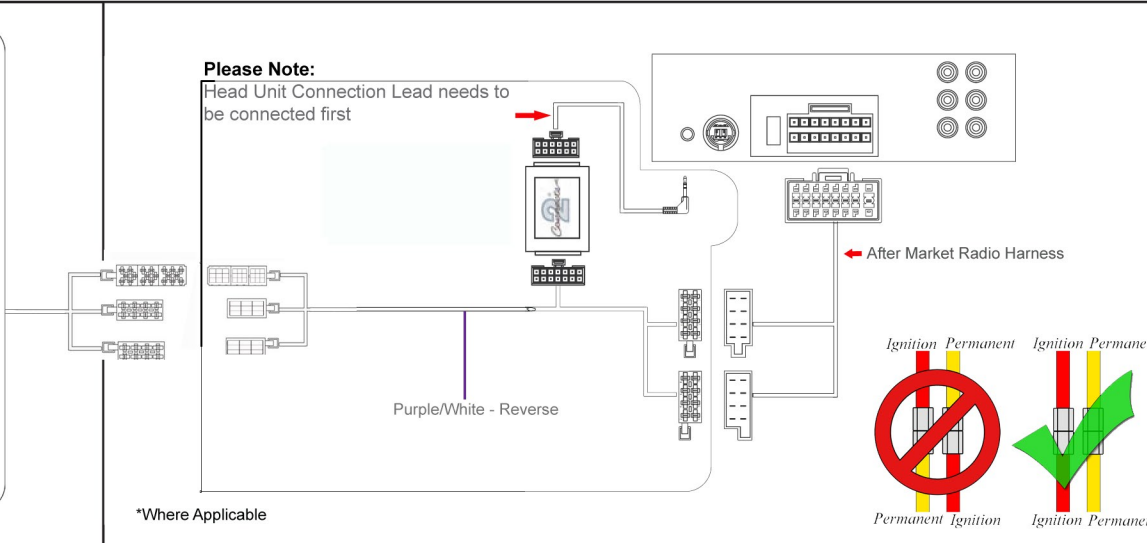
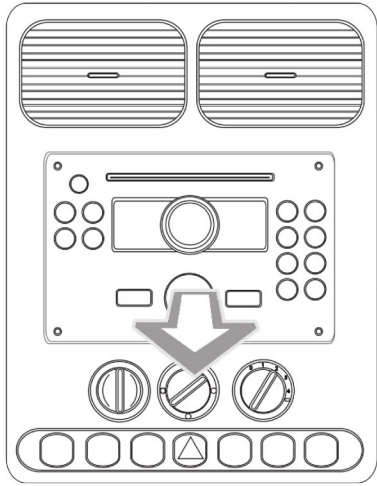


Installation Guide

Part No: **CTSTY007.2**

Toyota Steering Wheel Control Interface



Vehicle Compatibility:

Vehicles with 28 way steering wheel control connector and OEM JBL system.

Tundra 2014>

Steering Wheel Control Functions



* Note All Dates are guide lines only as specifications of vehicles change