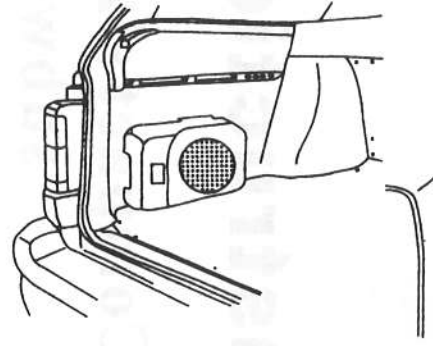
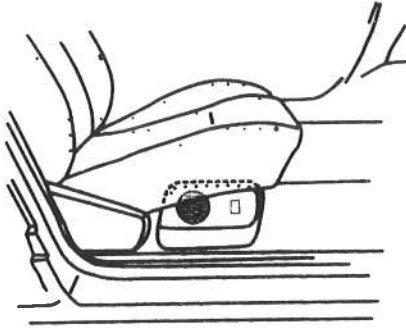
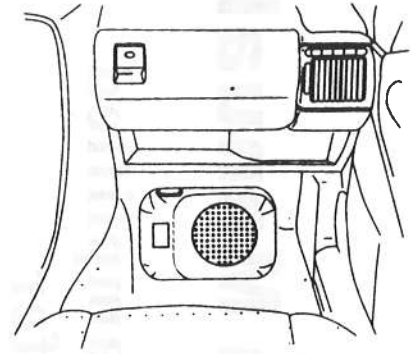
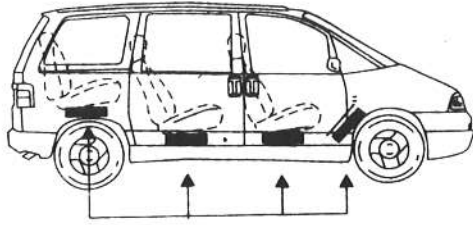
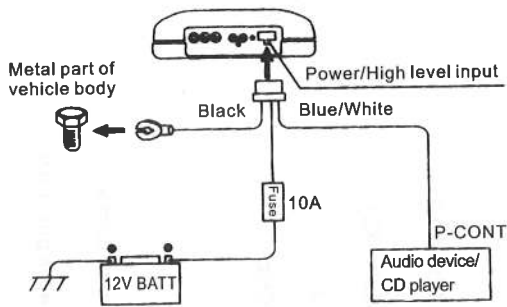


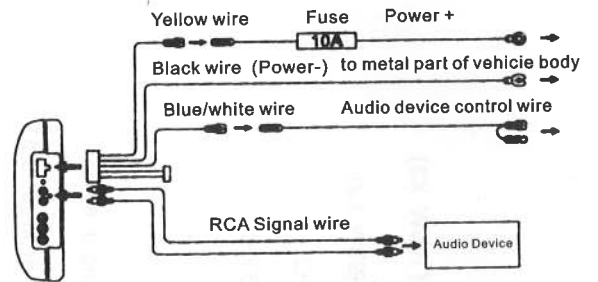
# Suggestion of subwoofer placement



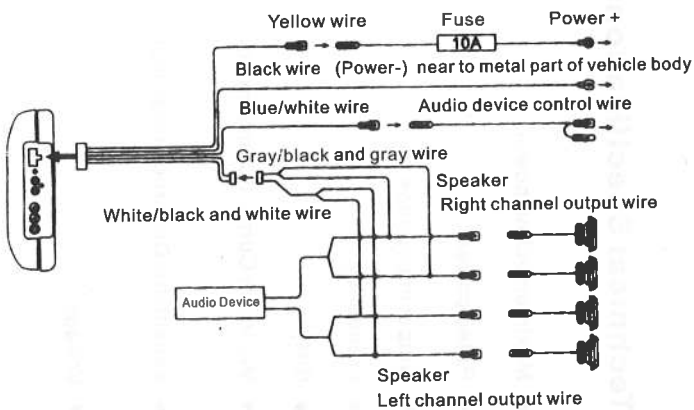
Increase the function that when Hi input, the woofer power will automatically turn on/off



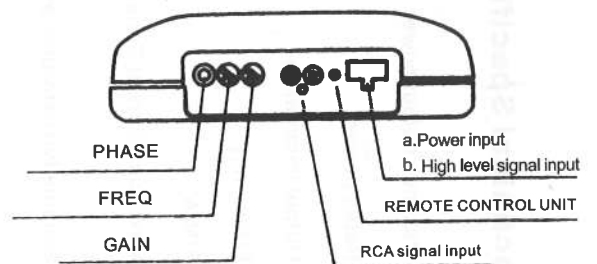
Wiring Diagram



Wiring Diagram2 (Low level 'RCA' input)



Wiring Diagram1 (High level input)



Functions Controlling Diagram

## Technical Specifications

- Maximum output power 200W(100W X2)
- Rated power 180W(90W X2)
- Output impedance  $2\Omega+2\Omega$
- Frequency 30~160Hz
- S/N(A) 91dB
- Maximum Current Consumption 12A
- Sensitivity(Distortion level 1%) RCA input 82mV  
Speaker Input 0.8V
- Voltage 14.4 V(10V~16V)

## Technical Specifications

- Maximum output power 250W(125W X2)
- Rated power 180W(90W X2)
- Output impedance  $2\Omega+2\Omega$
- Frequency 30~160Hz
- S/N(A) 91dB
- Maximum Current Consumption 12A
- Sensitivity(Distortion level 1%) RCA input 82mV  
Speaker input 0.8V
- Voltage 14.4 V(10V~16V)

# Instruction Manual

## Compact size amplified subwoofer